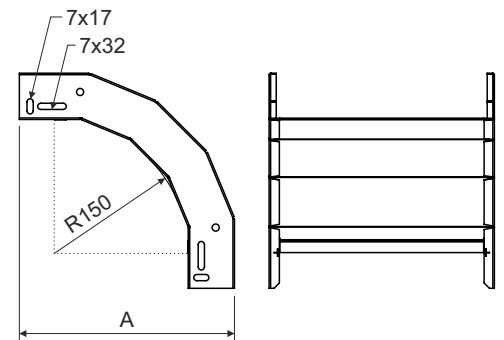
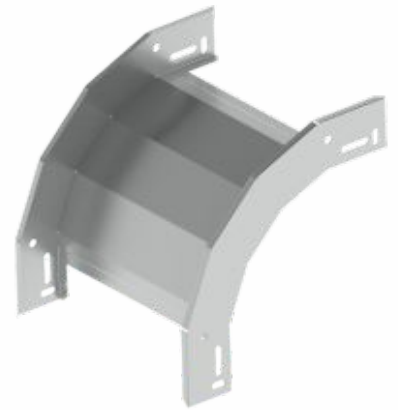


item number	for width of cable tray	for height of cable tray	A	thickness of metal sheet	weight kg/ps	amount of bolts for connection	🔥
NKO 90X50X62_S	62	50	241	0,7	0,34	4	🔥
NKO 90X50X62_F					0,40		
NKO 90X50X125_S	125	50	241	0,7	0,42	4	🔥
NKO 90X50X125_F					0,50		
NKO 90X50X250_S	250	50	241	0,7	0,59	4	🔥
NKO 90X50X250_F					0,75		
NKO 90X100X125_S	125	100	291	0,7	0,66	8	🔥
NKO 90X100X125_F					0,78		
NKO 90X100X250_S	250	100	291	0,7	0,83	8	🔥
NKO 90X100X250_F					1,03		
NKO 90X100X500_S	500	100	291	0,7	1,17	8	🔥
NKO 90X100X500_F					1,49		



product description: The low elbow is designed for the transition between a horizontal and sloping (vertical) cable tray.

To fix the connection use the bolt NSM 6X10. To protect the cables, the bolt head is inside the cable tray.

A bolt with a GMT surface finish is used for a tray with an F surface finish.

These items can also be ordered in a varnished version.

surface finish: S - Pre-Galvanized, zinc-layer 15 - 27 µm
 F - Hot Dip Galvanized, zinc-layer 45 µm (min. 35 µm)

sales amount: á 1 pc

certification: EN 61537:02

classification 🔥: ČSN 73 0895 P 90-R
 DIN 4102-12 E 90
 STN 92 0205 PS 90

Fire classification depends on the specific conditions of the cable tray, detailed in the catalog Systems with maintained functionality in fire

🔥 products are approved for non-standard constructions

storage: EN 60721-3-1



 **WARNING****Risk of injury from cutting**

Although the cable trays are produced with maximum effort to minimize sharper edges, it is necessary to wear protective gloves to carry, grip and work with cable elements.

Electricity injury

As individual components of cable management systems are made of electrical conductive material, it is essential not to work with a system near live electrical parts. Infringement of the safety regulations may cause serious injury of health or death.

Safe Use

Under normal and foreseeable conditions of use, there are no risks to consumers, provided that proper installation and usage are carried out in accordance with the installation manual.

recycling codes:



low elbow