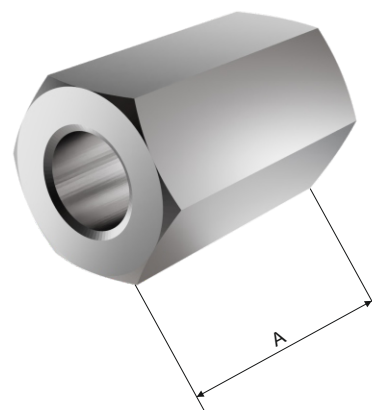


item number	thread (mm)	A (mm)	weight kg/pc	🔥
MZ 6_ZNCR	6	18	0,01	🔥
MZ 8_ZNCR	8	24	0,02	🔥
MZ 10_ZNCR	10	30	0,04	🔥
MZ 12_ZNCR	12	36	0,06	🔥



product description: Used for the connection of two threaded rods.

surface finish: ZNCR - bichromatic galvanised

sales amount: 1 pc

classification 🔥:
 ČSN 73 0895 P 90-R
 DIN 4102-12 E 90
 STN 92 0205 PS 90

Fire classification depends on the specific conditions of the cable tray, detailed in the catalog Systems with maintained functionality in fire

🔥 products are approved for standard constructions

🔥 products are approved for non-standard constructions

storage: ČSN EN 60721-3-1

